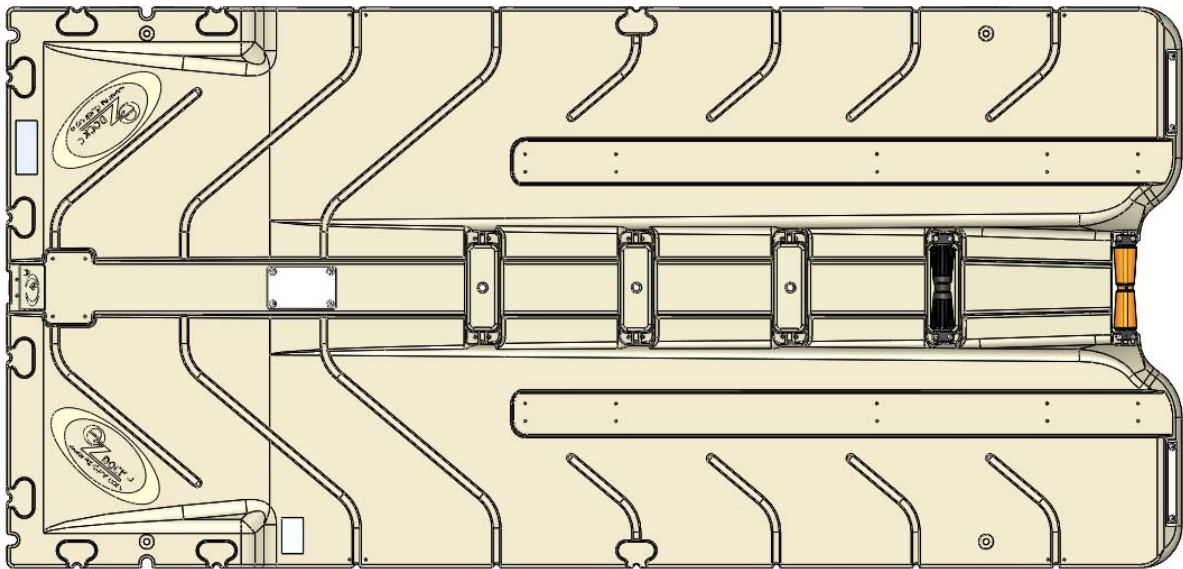
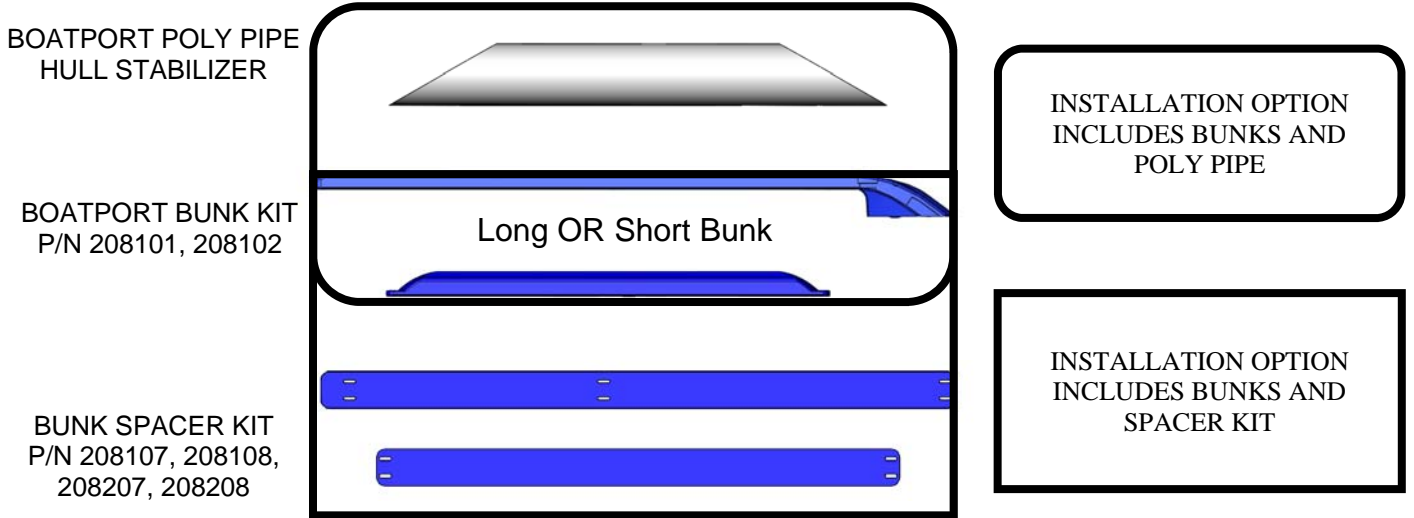


3C. Bunk Riser Options



OPTION:
BP BUNKS AND SPACER KIT

Dead Rise BoatPort Bunks User Guide w/ 3/4" Bunk Spacer Kit	
Bunk Configuration	Deadrise Angle Range
No Bunk	0° to 5°
Long Bunk	3° to 9°
Long Bunk with 3/4" Spacer Kit	6° to 13°
Short Bunk	11° to 18° and 14° to 21°
Short Bunk with 3/4" Spacer Kit	16° to 20° and 20° to 24°

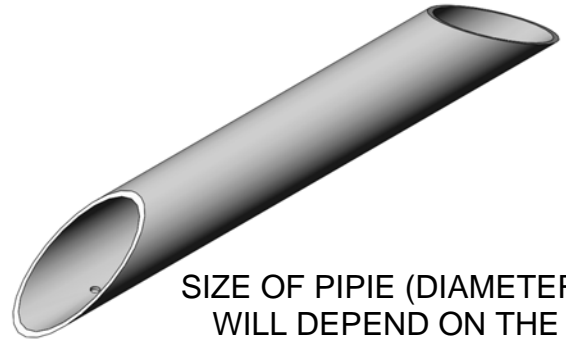
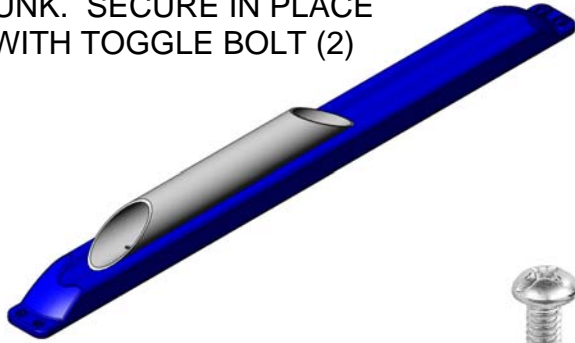
OPTION:
BP BUNKS AND POLY PIPE

Dead Rise BoatPort Bunks User Guide w/ Poly Pipe	
Bunk Configuration	Deadrise Angle Range
Short Bunk w/ 3" Poly Pipe	30° to 32°
Short Bunk w/ 4" Poly Pipe	34° to 36°
Short Bunk w/ 5" Poly Pipe	38° to 40°

Dead Rise BoatPort Bunks User Guide w/ 1.5" Bunk Spacer Kit	
Bunk Configuration	Deadrise Angle Range
No Bunk	0° to 5°
Long Bunk	3° to 9°
Long Bunk with 1.5" Spacer Kit	6° to 15°
Short Bunk	11° to 18° and 14° to 21°
Short Bunk with 1.5" Spacer Kit	20° to 24° and 23° to 28°

3C. Bunk Riser Options Cont.

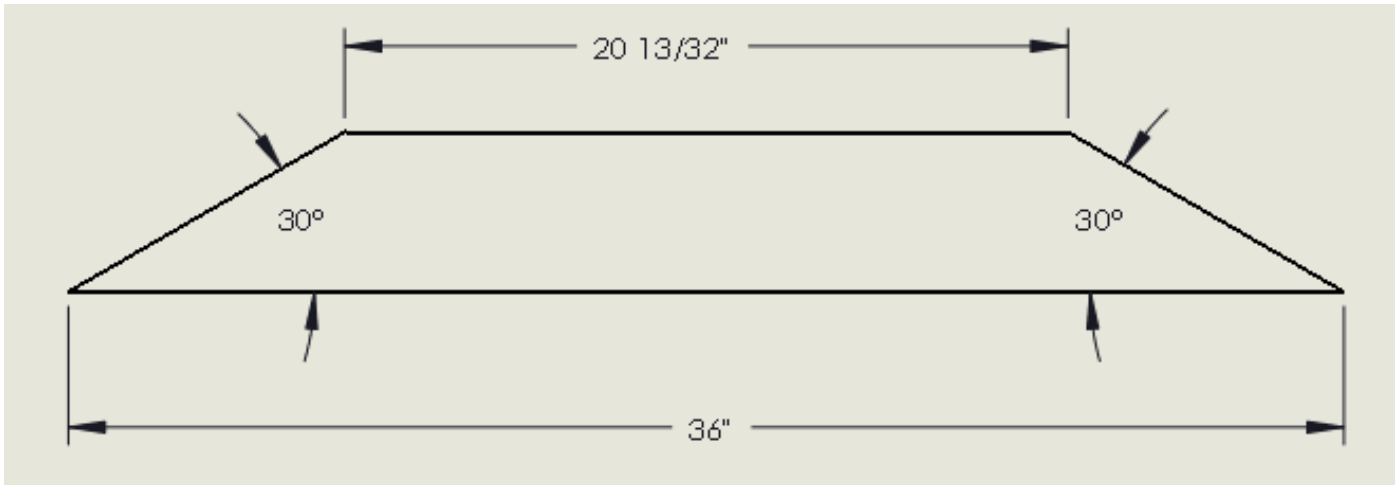
POLY PIPE HULL STABILIZER
INSTALLED ON TOP OF
BUNK. SECURE IN PLACE
WITH TOGGLE BOLT (2)



SIZE OF PIPE (DIAMETER)
WILL DEPEND ON THE
DISTANCE BETWEEN THE
BUNK AND THE HULL OF
THE BOAT.



TOGGLE BOLT



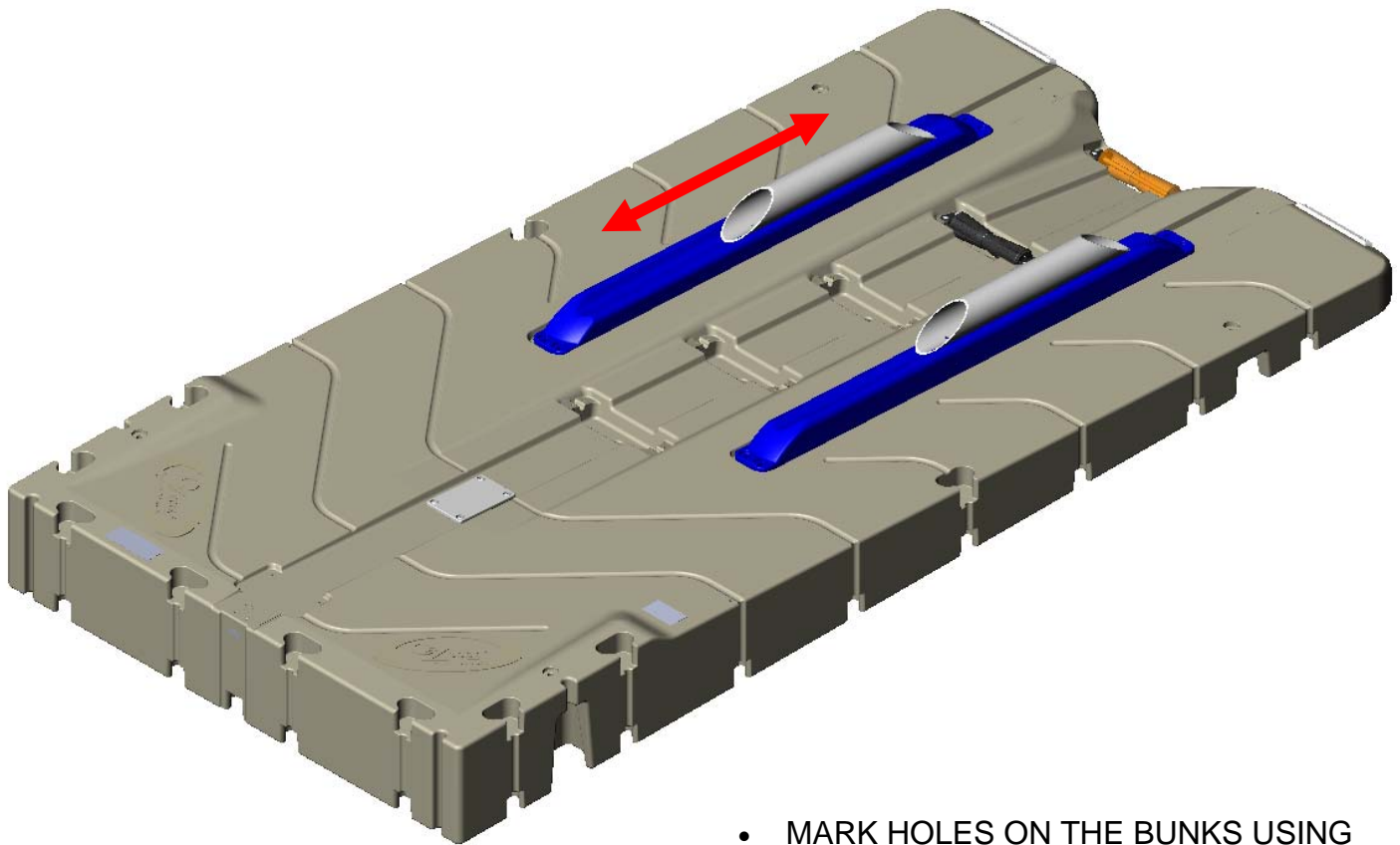
CUT A 30 DEGREE ANGLE ON BOTH ENDS OF PIPE.

NOTE:

1. OVERALL DIMENSIONS SHOWN ARE FOR REFERENCE ONLY AS THE TOTAL LENGTH OF PIPE MAY BE SHORTENED DEPENDING ON THE APPLICATION.
2. ENSURE THAT TOGGLE BOLTS ARE SECURELY ATTACHED THRU THE ANGLE CUT PORTION OF THE POLY PIPE. INSTALLATION OF TOGGLE BOLTS IN THIS AREA REMOVE PROTRUDING METAL FROM CONTACTING THE BOAT.

3C. Bunk Riser Options Cont.

- INSTALL BUNKS IN THE FORWARD MOST POSITION AS SHOWN BELOW.
- PLACE BOAT ONTO PORT
- MOVE POLY PIPE HULL STABILIZERS INTO PROPER POSITION SO THAT THERE IS AN APPROXIMATE 1/2" GAP BETWEEN HULL AND POLY PIPE.



- MARK HOLES ON THE BUNKS USING THE DRILLED HOLES IN THE POLY PIPE AS A TEMPLATE
- REMOVE THE POLY PIPE AND DRILL HOLES IN THE BUNKS
- ATTACH POLY PIPE TO BUNKS USING TOGGLE BOLTS.